

## TECHNICAL DATASHEET

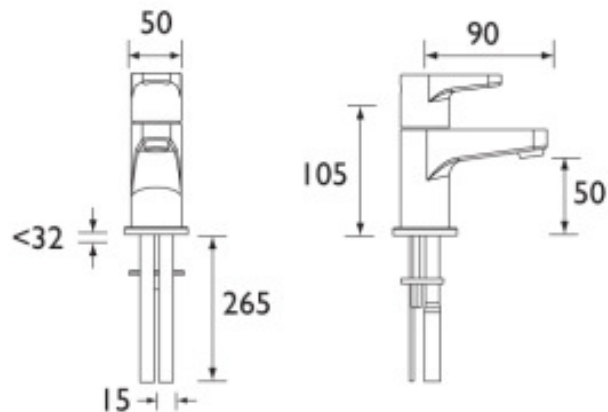
### QUEST

### QUEST BASIN MIXER (WITHOUT WASTE)



#### Product Specification

<b>Product Code:</b>	QST BASNW C
<b>Finish:</b>	Chrome
<b>Product Type:</b>	Contemporary
<b>Construction:</b>	Body is of brass construction and is designed to conform to BS EN 817
<b>Valve Type:</b>	35mm ceramic disc cartridge
<b>Supply:</b>	Suitable for all plumbing systems
<b>Inlet Connections:</b>	M10 x 15mm copper connecting pipes
<b>Water Pressure:</b>	Min. 0.2 bar, Max. 8.0 bar



#### Additional Information

- Supplied with metal handle
- Chrome plated to BS EN 248

**Technical Advice:** For further information please call 0844 7016273 or email [customer@bristan.com](mailto:customer@bristan.com).  
**Guarantee:** 5 years covering manufacturing faults.

#### Compliance/Approvals

System Pressure	0.2bar	0.5bar	1bar	2bar	3bar	5bar
QST BAS C	5.2	8.5	12.0	17.0	20.9	26.9

Bristan, Birch Coppice Business Park, Dordon, Tamworth, B78 1SG  
 Telephone: 0844 701 6274 Facsimile: 0844 701 6275  
 Web Site: [www.bristan.com](http://www.bristan.com) Email: [enquire@bristan.com](mailto:enquire@bristan.com)



The information contained on this page was correct at date of issue. Fitting dimensions are provided as a guide only. Some variation may occur due to manufacturing tolerances. Bristan pursues a policy of continuing improvement in design and performance of its products and so reserves the right to change specifications without prior notice.